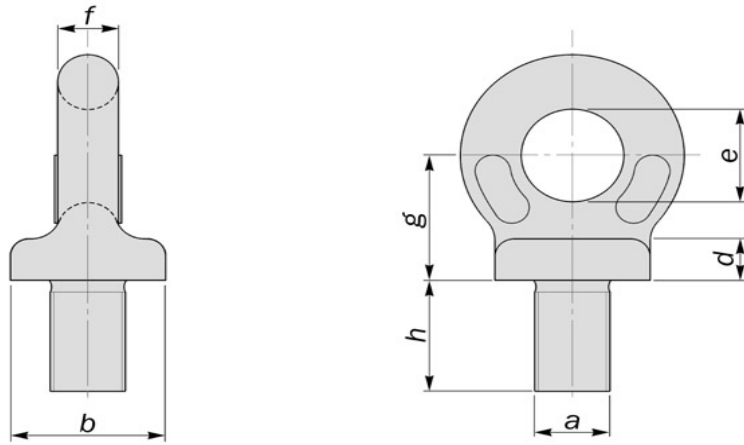


BS 4278/1 Collared Eyebolts - Metric Thread



Thread Diameter	Working Load	Base Diameter	Collar Thickness	Eye Diameter	Material Diameter	Height	Thread Length	Weight Each
a		b	d	e	f	g	h	
mm	tonnes	mm	mm	mm	mm	mm	mm	kg
6	0.10	22	7	15	9	20	18	0.06
8	0.15	22	7	15	9	20	18	0.06
10	0.25	22	7	15	9	20	18	0.06
12	0.40	22	7	15	9	20	18	0.06
14	0.50	29	10	20	12	26	23	0.15
16	0.80	29	10	20	12	26	23	0.15
18	1.00	36	12	24	14	32	28	0.27
20	1.60	40	14	27	16	36	32	0.38
22	1.60	45	14	30	18	40	35	0.54
24	2.50	52	17	35	21	46	40	0.85
27	2.50	58	20	39	23	52	46	1.13
30	4.00	65	22	44	26	58	51	1.62
33	4.00	72	24	48	29	64	56	2.37
36	6.30	81	27	54	32	72	63	3.12
39	6.30	81	27	54	36	80	63	3.12
42	8.00	101	34	68	36	80	79	6.45
45	8.00	101	34	68	40	90	79	6.45
48	10.00	101	34	68	40	90	79	6.51
52	12.50	115	38	76	46	102	89	9.58

Finish- Self Coloured