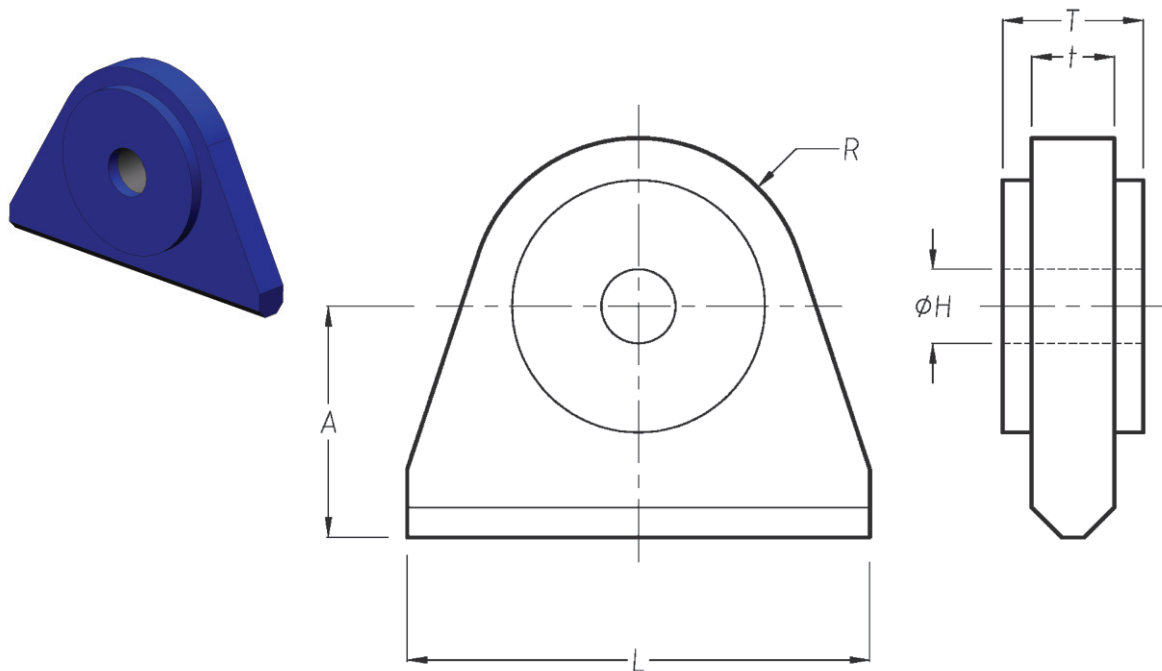


Pad eyes type S



Pad Eye Type S

Stock No.	Type No.	Shackle size	WLL (t)	Wire		Dimensions (mm)						Weight (kg)
				(inches)	(mm)	L	A	ØH	R	t	T	
53.001.00.0S	S	$\frac{3}{8}$	1	$\frac{3}{8}$	9 - 10	76	32	11.5	26	14	14	0.3
53.001.50.0S	S	$\frac{7}{16}$	1.5	$\frac{3}{8}$	9 - 10	90	32	13.5	32	15	15	0.5
53.002.00.0S	S	$\frac{1}{2}$	2	$\frac{1}{2}$	12 - 13	100	38	17	35	18	18	0.7
53.003.25.0S	S	$\frac{5}{8}$	3.25	$\frac{3}{4}$	19	115	45	20	38	22	22	1.5
53.004.75.0S	S	$\frac{3}{4}$	4.75	$\frac{3}{4}$	19	140	51	23	45	25	25	2
53.006.50.0S	S	$\frac{7}{8}$	6.5	1	25 - 26	150	57	26	51	30	30	3
53.008.50.0S	S	1	8.5	1	25 - 26	180	64	29.5	64	35	35	5
53.009.50.0S	S	$1\frac{1}{8}$	9.5	1	25 - 26	203	76	33.5	76	40	40	7.5
53.012.00.0S	S	$1\frac{1}{4}$	12	$1\frac{1}{4}$	32	216	83	37	83	45	45	10
53.013.50.0S	S	$1\frac{3}{8}$	13.5	$1\frac{1}{4}$	32	228	89	40	89	30	50	10
53.017.00.0S	S	$1\frac{1}{2}$	17	$1\frac{3}{8}$	35	280	140	44	102	40	50	18
53.025.00.0S	S	$1\frac{3}{4}$	25	$1\frac{5}{8}$	41 - 42	305	140	53	121	40	60	23
53.035.00.0S	S	2	35	2	51	356	153	60	133	50	70	35
53.055.00.0S	S	$2\frac{1}{2}$	55	$2\frac{1}{2}$	63 - 64	482	165	74	152	50	90	55
53.085.00.0S	S	3	85	3	76 - 77	559	203	87	178	60	110	90
53.120.00.0S	S	$3\frac{1}{2}$	120	$3\frac{3}{4}$	95 - 96	711	254	100	229	70	120	170
53.150.00.0S	S	4	150	4	102	813	280	114	254	80	150	250

- Pad eyes will be supplied including material certificates (S355J2G3, EN 10204 3.1)
- $T \geq 75\%$ of inside width of shackle.
- $H \leq 106\%$ of diameter of pin.