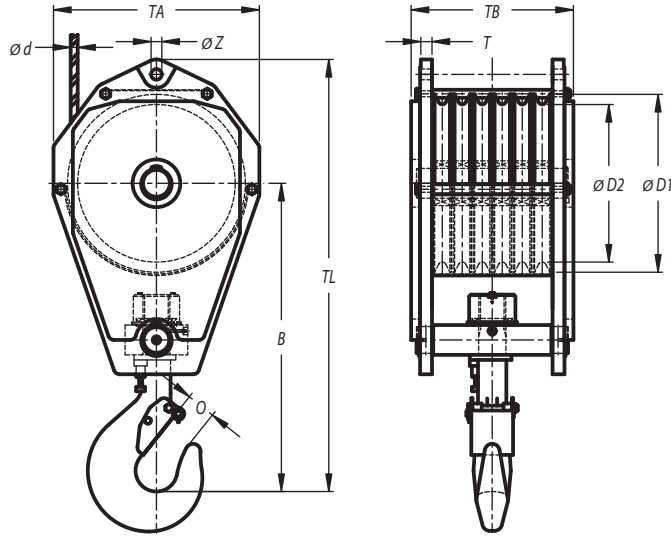


Can also be delivered with:



Stock No.	Model No.	WLL (t)	Wire (mm)	Dimensions (mm)									Weight (kg)
				ØD1	ØD2	B	O	TA	TB	TL	T	ØZ	
22.460.072.61	SRB 400.6.72	72	17-19	460	400	1000	110	570	397	1350	30	37	650
22.515.080.61	SRB 450.6.80	80	20-22	515	450	1090	110	600	612	1480	40	43	1200
22.595.125.61	SRB 520.6.125	125	24-26	596	528	1250	137	710	652	1690	45	52	1750
22.595.160.61	SRB 520.6.160	160	24-26	596	528	1325	167	710	842	1825	45	52	2970
22.595.200.61	SRB 520.6.200	200	27-28	596	528	1525	188	710	882	2035	50	59	3680

Minimum Ultimate Strength = 4 x WLL.

- Standard fitted with cylindrical roller bearing, reeving guide and becket.
- Standard painted in yellow with black stripes.
- Standard sheaves of reeve blocks can be adjusted to other wire rope diameters.
- Third party testing with certification available upon request.
- Standard fitted with hook according DIN 15401