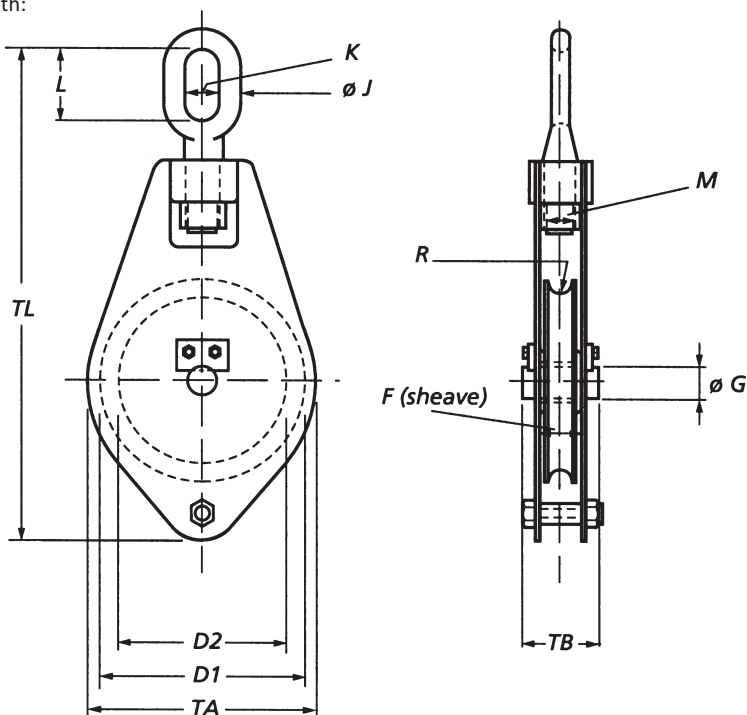


Can also be delivered with:



Stock No.	WLL (t)	Wire up to (mm)	No of Sheav.	Dimensions (mm)												Weight (kg)
				D1	D2	F	ØG	ØJ	K	L	M	R	TA	TB	TL	
11.100.00.10	0.75	8	1	100	80	20	15	12	21	48	16	4.5	110	45	275	2
11.125.01.10	1	10	1	125	105	27	22	16	26	58	18	5.5	135	52	336	3
11.150.02.10	2	12	1	150	120	40	30	16	26	58	24	6.5	170	74	407	6
11.200.03.10	3	14	1	200	165	40	30	21	32	72	30	7.5	220	74	500	10
11.250.04.10	4	18	1	250	210	45	35	26	40	94	33	9.5	270	81	608	18
11.300.06.10	6	20	1	300	255	50	40	29	45	108	42	11	320	88	706	27
11.350.08.10	8	22	1	350	305	50	45	32	49	114	45	12	380	92	778	44
11.350.10.10	10	22	1	350	305	60	50	36	54	125	52	12	380	110	795	50
11.400.10.10	10	24	1	400	345	60	50	36	54	125	52	13	430	110	848	60
11.350.12.10	12	22	1	350	305	60	50	41	60	144	56	12	380	114	821	59
11.400.12.10	12	24	1	400	345	60	60	41	60	144	56	13	430	118	926	75
11.350.16.10	16	22	1	350	305	60	50	46	66	163	64	12	380	114	879	69
11.400.16.10	16	24	1	400	345	60	60	46	66	163	64	13	430	118	959	81
11.400.20.10	20	24	1	400	345	60	60	51	72	173	72	13	430	118	990	97
11.450.20.10	20	28	1	450	390	70	70	51	72	173	72	15	480	128	1046	109
11.450.25.10	25	28	1	450	390	70	70	60	80	195	76	15	480	128	1105	130
11.450.30.10	30	36	1	450	390	70	70	60	90	220	80	19.5	480	134	1145	150

Minimum Ultimate Strength = 4 x WLL.

WLL= Working Load Limit on head fitting.

- All blocks up to 30 tons are standard supplied with swivel oval eye, for over 30 tons with swivel stud eye.
- All blocks can be supplied with swivel hook, swivel stud eye or swivel jaw.
- For ordering wire rope blocks with becket, the last digit of the stock number should be 1 (instead of 0).
- Standard supplied with bronze bearings. • Other bearings available on request.
- Groove in sheave may be adjusted to other wire rope diameters.