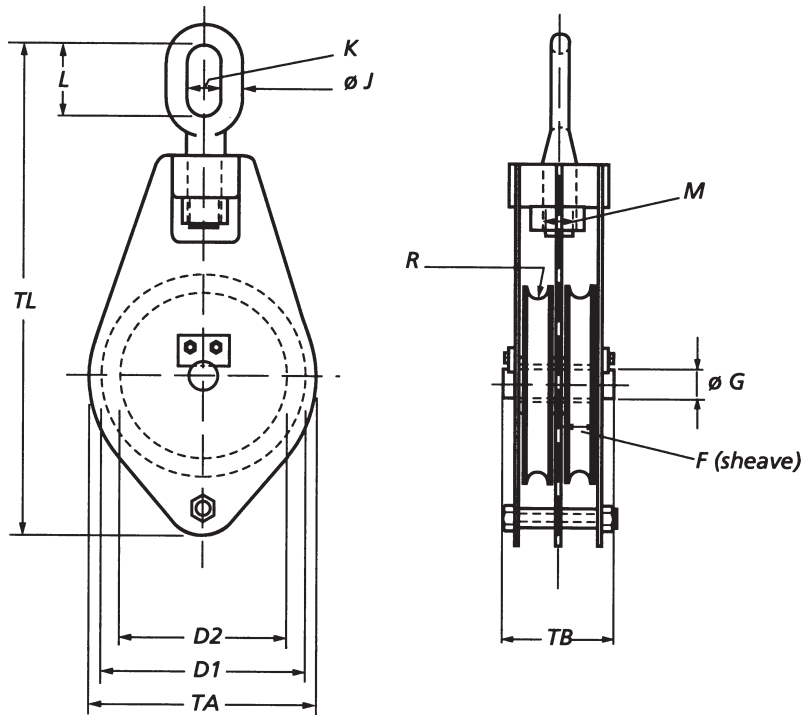
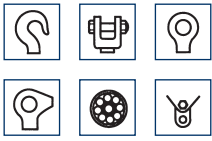


Can also be delivered with:



Stock No.	WLL (t)	Wire up to (mm)	No of Sheav.	Dimensions (mm)												Weight (kg)
				D1	D2	F	ØG	ØJ	K	L	M	R	TA	TB	TL	
11.100.01.20	1	8	2	100	80	20	15	16	26	58	18	4.5	110	70	295	4
11.125.02.20	1.5	10	2	125	105	27	22	16	26	58	24	5.5	135	85	336	6
11.150.03.20	3	12	2	150	120	40	30	21	32	72	30	6.5	170	120	430	11
11.200.04.20	4	14	2	200	165	40	30	26	40	94	33	7.5	220	120	538	18
11.250.06.20	6	18	2	250	210	45	35	29	45	108	42	9.5	270	133	624	32
11.300.08.20	8	20	2	300	255	50	40	32	49	114	45	11	320	146	713	43
11.350.10.20	10	22	2	350	305	50	45	36	54	125	52	12	380	152	569	74
11.350.12.20	12	22	2	350	305	60	50	41	60	144	56	12	380	186	821	81
11.400.12.20	12	24	2	400	345	60	50	41	60	144	56	13	430	180	893	102
11.350.16.20	16	22	2	350	305	60	50	46	66	163	64	12	380	186	879	98
11.400.16.20	16	24	2	400	345	60	60	46	66	163	64	13	430	192	959	126
11.350.20.20	20	22	2	350	305	60	50	51	72	173	72	12	380	186	896	116
11.400.20.20	20	24	2	400	345	60	60	51	72	173	72	13	430	192	976	146
11.400.25.20	25	24	2	400	345	60	60	60	80	195	76	13	430	192	1065	169
11.450.25.20	25	28	2	450	390	70	70	60	80	195	76	15	480	221	1120	190
11.400.30.20	30	24	2	400	345	60	60	60	90	220	80	13	430	192	1095	184
11.450.30.20	30	28	2	450	390	70	70	60	90	220	80	15	480	236	1150	204
11.450.40.20	40	28	2	450	390	70	70	-	96	96	90	15	480	236	1030	225

Minimum Ultimate Strength = 4 x WLL.

WLL= Working Load Limit on head fitting.

- All blocks up to 30 tons are standard supplied with swivel oval eye, for over 30 tons with swivel stud eye.
- All blocks can be supplied with swivel hook, swivel stud eye or swivel jaw.
- For ordering wire rope blocks with becket, the last digit of the stock number should be 1 (instead of 0).
- Standard supplied with bronze bearings. • Other bearings available on request.
- Groove in sheave may be adjusted to other wire rope diameters.