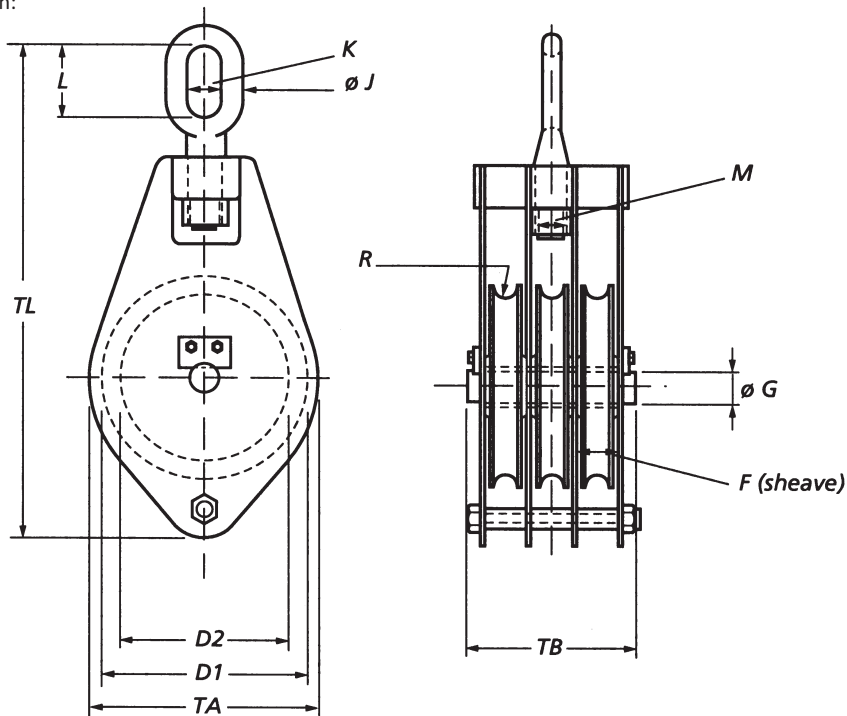


Can also be delivered with:



Stock No.	WLL (t)	Wire up to (mm)	No of Sheav.	Dimensions (mm)												Weight (kg)
				D1	D2	F	ØG	ØJ	K	L	M	R	TA	TB	TL	
11.125.02.30	2	10	3	125	105	27	22	16	26	58	24	5.5	135	120	336	9
11.150.04.30	4	12	3	150	120	40	30	26	40	94	33	6.5	170	166	468	17
11.200.06.30	6	14	3	200	165	40	30	29	45	108	42	7.5	220	166	556	28
11.250.08.30	8	18	3	250	210	45	35	32	49	114	45	9.5	270	185	633	46
11.300.10.30	10	20	3	300	255	50	40	36	54	125	52	11	320	204	733	69
11.350.12.30	12	22	3	350	305	50	45	41	60	144	56	12	380	212	823	99
11.350.16.30	16	24	3	350	305	60	50	46	66	163	64	13	380	258	880	120
11.400.16.30	16	24	3	400	345	60	50	46	66	163	64	13	430	250	927	157
11.350.20.30	20	24	3	350	305	60	50	51	72	173	72	13	380	258	896	143
11.400.20.30	20	24	3	400	345	60	60	51	72	173	72	13	430	266	1006	184
11.350.25.30	25	24	3	350	305	60	50	60	80	195	76	13	380	266	955	170
11.400.25.30	25	24	3	400	345	60	60	60	80	195	76	13	430	266	1065	198
11.450.25.30	25	28	3	450	390	70	70	60	80	195	76	15	480	296	1120	220
11.400.30.30	30	28	3	400	345	60	60	60	90	220	80	15	430	266	1095	215
11.450.30.30	30	28	3	450	390	70	70	60	90	220	80	15	480	296	1140	255
11.400.40.30	40	28	3	400	345	60	60	-	96	96	90	15	430	278	945	250
11.450.40.30	40	28	3	450	390	70	70	-	96	96	90	15	480	308	1030	295
11.450.50.30	50	28	3	450	390	70	75	-	106	106	100	15	480	338	1055	335

Minimum Ultimate Strength = 4 x WLL.

WLL= Working Load Limit on head fitting.

- All blocks up to 30 tons are standard supplied with swivel oval eye, for over 30 tons with swivel stud eye.
- All blocks can be supplied with swivel hook, swivel stud eye or swivel jaw.
- For ordering wire rope blocks with becket, the last digit of the stock number should be 1 (instead of 0).
- Standard supplied with bronze bearings. • Other bearings available on request.
- Groove in sheave may be adjusted to other wire rope diameters.