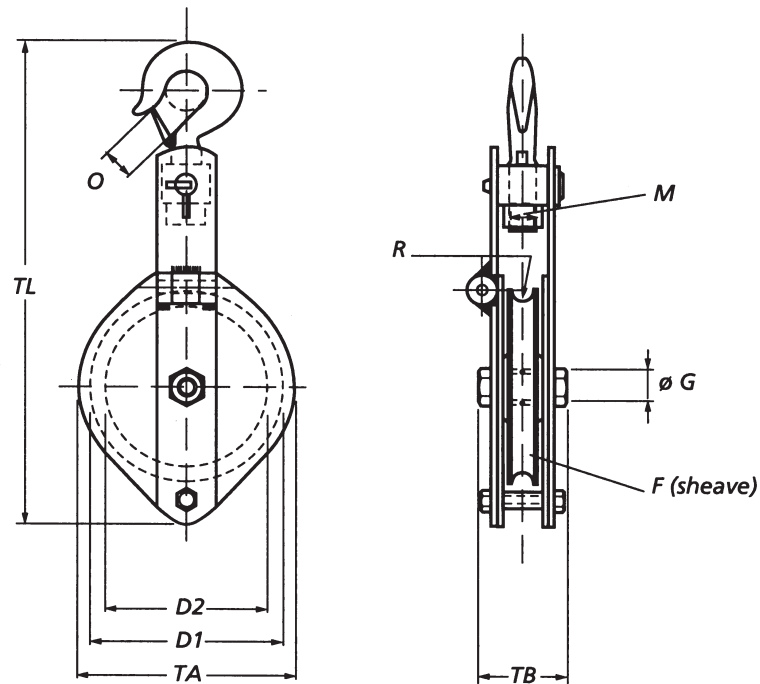


Snatch blocks self locking with hook

Can also be delivered with:



Stock No.	WLL (t)	Wire up to (mm)	Dimensions (mm)										Weight (kg)
			D1	D2	F	ØG	M	O	R	TA	TB	TL	
12.150.02.14	2	12	150	120	40	30	24	35	6.5	170	100	425	8
12.200.03.14	3	14	200	165	40	30	30	42	7.5	220	100	560	12.5
12.250.04.14	4	18	250	210	45	35	33	42	9.5	270	110	655	21

Minimum Ultimate Strength = 4 x WLL.

WLL= Working Load Limit on head fitting.

- Groove in sheave may be adjusted to other wire rope diameters.
- Standard supplied with bronze bearings. Other bearings available on request.
- Snatch blocks may be supplied with becket.

WARNING!: These snatch blocks should never be used as lower block for hoisting.