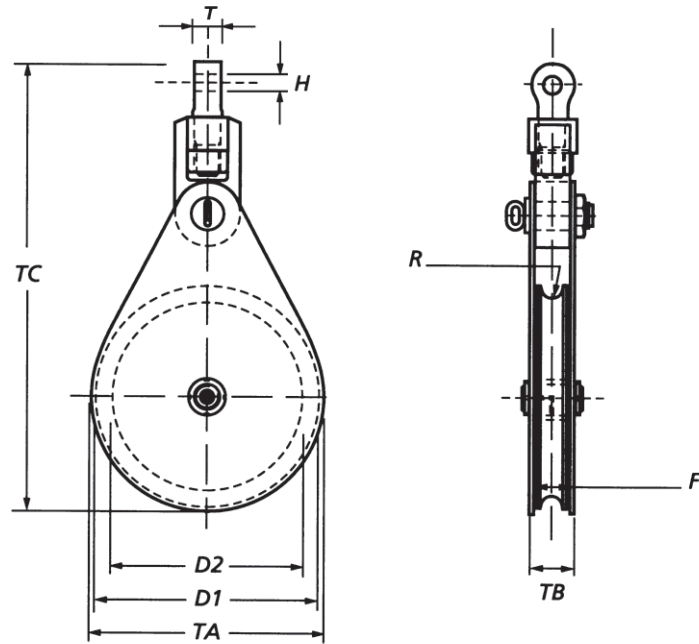


## Snatch blocks HL series

Can also be delivered with:



Stock No.	WLL (t)	Wire up to (mm)	Bearing	Dimensions (mm)									Weight (kg)
				D1	D2	F	H	R	T	TA	TB	TC	
12.008.20.03	20	26 - 28	RB	200	150	70	52	14.5	70	212	96	751	70
12.008.20.13	20	26 - 28	BB	200	150	70	52	14.5	70	212	96	751	70
12.010.20.03	20	26 - 28	RB	250	190	70	52	14.5	70	262	96	801	81
12.010.20.13	20	26 - 28	BB	250	190	70	52	14.5	70	262	96	801	81
12.012.20.03	20	26 - 28	RB	300	240	70	52	14.5	70	312	96	851	95
12.012.20.13	20	26 - 28	BB	300	240	70	52	14.5	70	312	96	851	95
12.014.20.03	20	26 - 28	RB	350	290	70	52	14.5	70	362	96	901	100
12.014.20.13	20	26 - 28	BB	350	290	70	52	14.5	70	362	96	901	100
12.016.20.03	20	26 - 28	RB	400	340	70	52	14.5	70	412	96	951	110
12.016.20.13	20	26 - 28	BB	400	340	70	52	14.5	70	412	96	951	110
12.018.30.03	30	28 - 32	RB	450	390	80	60	16.5	80	462	112	1121	155
12.018.30.13	30	28 - 32	BB	450	390	80	60	16.5	80	462	112	1121	155
12.020.30.03	30	28 - 32	RB	500	430	80	60	16.5	80	512	112	1171	180
12.020.30.13	30	28 - 32	BB	500	430	80	60	16.5	80	512	112	1171	180
12.024.30.03	30	28 - 32	RB	600	520	80	60	16.5	80	612	112	1271	250
12.024.30.13	30	28 - 32	BB	600	520	80	60	16.5	80	612	112	1271	250

Minimum Ultimate Strength = 4 x WLL.

WLL= Working Load Limit on head fitting.

RB= Roller bearing.

BB= Bronze bushing.

- Groove in sheave may be adjusted to other wire rope diameters.