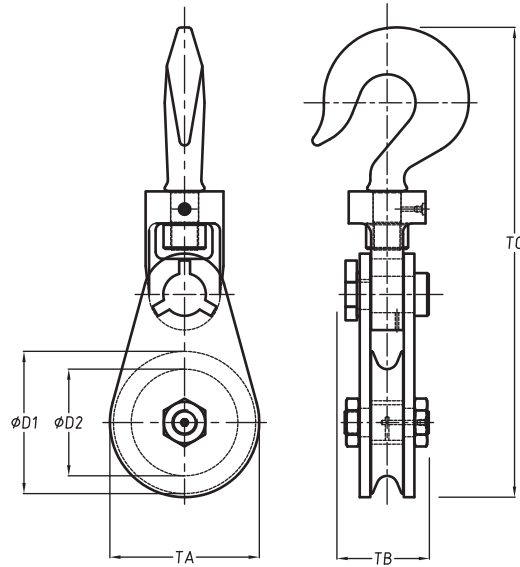


Snatch blocks S series with Hook



Stock No.	WLL (t)	Wire		Dimensions (mm)					Bearing type	Weight (kg)
		(mm)	(inches)	ØD1	ØD2	TA	TB	TC		
12.103.02.14	2	7 - 9	$\frac{9}{32} - \frac{3}{8}$	75	58	82	70	290	BB	4
12.104.04.14	4	10 - 12	$\frac{3}{8} - \frac{1}{2}$	115	90	120	70	358	BB	6
12.106.04.14	4	16 - 19	$\frac{5}{8} - \frac{3}{4}$	150	120	160	70	432	BB	14
12.106.08.14	8	19 - 22	$\frac{3}{4} - \frac{7}{8}$	150	120	160	93	498	RB	15
12.108.08.14	8	19 - 22	$\frac{3}{4} - \frac{7}{8}$	200	165	210	93	549	RB	16
12.110.10.14	10	24 - 26	1	250	205	260	115	695	RB	38
12.110.12.14	12	24 - 26	1	250	205	260	115	701	RB	42
12.112.12.14	12	24 - 26	1	300	250	310	133	797	RB	56
12.108.15.14	15	22 - 24	$\frac{7}{8} - \frac{15}{16}$	200	165	210	102	672	RB	24
12.112.15.14	15	24 - 26	1	300	250	310	133	797	RB	65
12.114.22.14	22	28 - 32	$1\frac{1}{8} - 1\frac{1}{4}$	355	305	365	140	960	RB	90
12.116.22.14	22	28 - 32	$1\frac{1}{8} - 1\frac{1}{4}$	405	350	415	140	1027	RB	108
12.118.22.14	22	28 - 32	$1\frac{1}{8} - 1\frac{1}{4}$	450	395	465	180	1058	RB	120
12.112.30.14	30	28 - 30	$1\frac{1}{8} - 1\frac{3}{16}$	300	245	310	193	993	RB	125
12.116.30.14	30	32 - 35	$1\frac{1}{4} - 1\frac{3}{8}$	405	350	415	155	1121	RB	135
12.120.30.14	30	32 - 35	$1\frac{1}{4} - 1\frac{3}{8}$	508	440	514	162	1177	RB	210
12.114.35.14	35	32 - 35	$1\frac{1}{4} - 1\frac{3}{8}$	350	280	365	193	1028	RB	130
12.124.50.14	50	46 - 50	$1\frac{13}{16} - 2$	600	500	625	275	1495	RB	418

Minimum Ultimate Strength = 4 x WLL.

WLL= Working Load Limit on head fitting.

RB= Roller bearing.

BB= Bronze bushing.