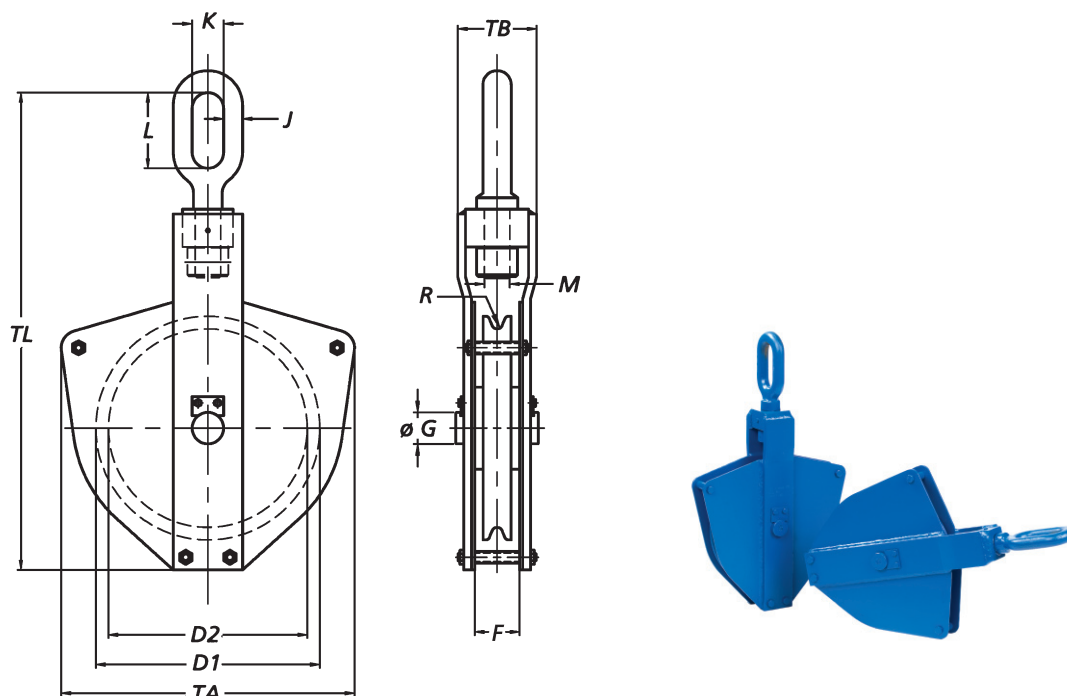


## Anchor boom blocks



Stock No.	WLL (t)	Wire up to (mm)	Dimensions (mm)											Weight (kg)	
			D1	D2	F	ØG	J	K	L	M	R	TA	TB		TL
26.200.03.10	3	10	200	165	40	30	21	32	72	30	5.5	270	230	465	13.5
26.250.04.10	4	12	250	210	45	35	26	40	94	33	6.5	320	280	556	22
26.300.06.10	6	14	300	255	50	40	29	45	108	42	7.5	400	360	653	35
26.350.08.10	8	18	350	300	45	45	32	49	115	45	9.5	450	400	714	72
26.400.12.10	12	20	400	345	50	60	41	60	144	56	11.0	502	440	1014	85
26.450.16.10	16	22	450	390	60	70	46	66	163	64	12.0	560	510	1094	105
26.500.18.10	18	24	500	430	70	75	51	72	173	72	13.0	610	520	1097	135
26.500.20.10	20	36	500	430	70	80	51	72	173	72	19.5	620	550	1114	164

WLL= Working Load Limit on head fitting.

- Sheaves standard fitted with cylindrical roller bearing.
- Optionally supplied with roller thrust bearing for lifting eye.
- Groove in sheave may be adjusted to other wire rope diameters.