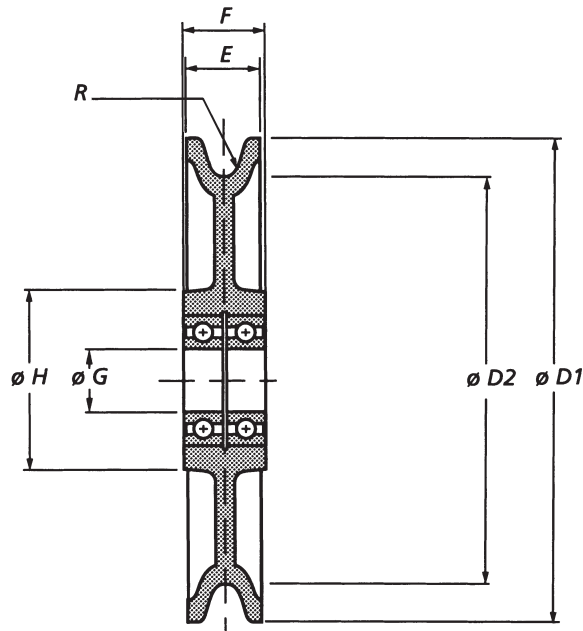


## Sheaves with ball bearings



| Stock No.    | Wire (mm) | Dimensions (mm) |     |    |      |    |     |      | Bearing    | Material | Weight (kg) |
|--------------|-----------|-----------------|-----|----|------|----|-----|------|------------|----------|-------------|
|              |           | ØD1             | ØD2 | E  | F    | ØG | ØH  | R    |            |          |             |
| 31.100.60.02 | 8         | 100             | 80  | 18 | 20   | 15 | 40  | 4.5  | 2x6002-RS  | GGG-60   | 0.7         |
| 31.125.60.02 | 10        | 125             | 105 | 23 | 27.5 | 22 | 55  | 5.5  | 2x60/22-RS | GGG-60   | 1.5         |
| 31.150.60.02 | 12        | 150             | 120 | 36 | 40   | 30 | 80  | 6.5  | 2x6206-RS  | GGG-60   | 3           |
| 31.200.60.02 | 14        | 200             | 165 | 36 | 40   | 30 | 80  | 7.5  | 2x6206-RS  | GGG-60   | 4.5         |
| 31.250.60.02 | 18        | 250             | 210 | 40 | 45   | 35 | 90  | 9.5  | 2x6207-RS  | GGG-60   | 8           |
| 31.300.60.02 | 20        | 300             | 255 | 45 | 50   | 40 | 100 | 11.0 | 2x6208-RS  | GGG-60   | 12          |
| 31.350.70.02 | 22        | 350             | 305 | 45 | 50   | 45 | 115 | 12.0 | 2x6209-RS  | GGG-70   | 17          |
| 31.400.70.02 | 24        | 400             | 345 | 55 | 60   | 50 | 130 | 13.0 | 2x6210-RS  | GGG-70   | 24          |

- Different shaft sizes possible.
- Groove may be adjusted to other wire rope diameters.