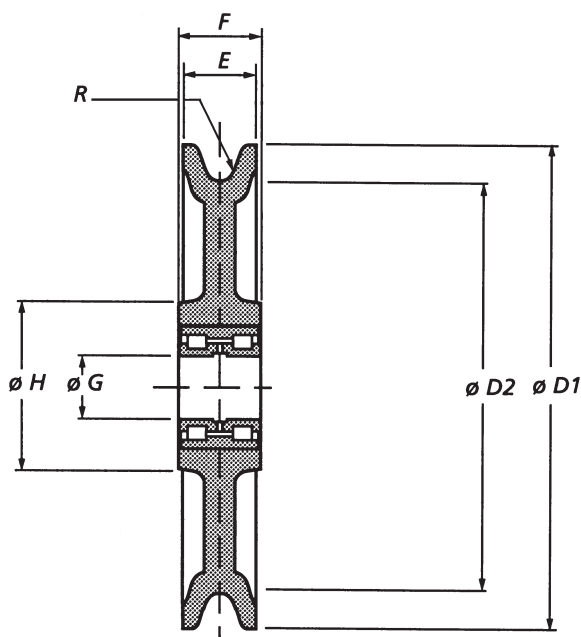


Sheaves with cylindrical roller bearings



Stock No.	Model No.	Wire (mm)	Dimensions (mm)							Bearing	Material	Weight (kg)
			ØD1	ØD2	E	F	ØG	ØH	R			
31.150.60.03		12	150	120	36	40/34	30	80	6.5	NNF 5006	GGG-60	3
31.200.60.03		14	200	165	36	40/34	30	80	7.5	NNF 5006	GGG-60	4.5
31.250.60.03		18	250	210	40	45/36	35	90	9.5	NNF 5007	GGG-60	8
31.300.60.03		20	300	255	45	50/38	40	100	11	NNF 5008	GGG-60	12
31.320.50.03	SE.280.5010.7	13	320	280	36	40	50	140	7	NNF 5010	GGG-50	8.5
31.321.50.03	SE.280.5012.7	13	320	280	38	46	60	140	7	NNF 5012	GGG-50	9.2
31.322.50.03	SE.285.5012.8.5	16	320	280	38	46	60	140	8,5	NNF 5012	GGG-50	9.3
31.350.70.03		22	350	305	45	50/40	45	115	12	NNF 5009	GGG-70	17
31.365.50.03	SE.320.5013.9	16	365	320	42	46	65	160	9	NNF 5013	GGG-50	13.3
31.400.70.03		24	400	345	55	60/40	50	140	13	NNF 5010	GGG-70	24
31.410.50.03	SE.355.5013.8.5	16	410	355	42	46	65	160	8.5	NNF 5013	GGG-50	16.3
31.411.50.03	SE.355.5018.9	17	410	355	42	67	90	160	9	NNF 5018	GGG-50	20.4
31.420.50.03	SE.360.5016.9.5	18	420	360	50	60	80	160	9.5	NNF 5016	GGG-50	23.7
31.450.70.03		28	450	390	60	70/46	55	140	15	NNF 5011	GGG-70	48
31.460.50.03	SE.400.5013.9.5	18	460	400	42	46	65	175	9.5	NNF 5013	GGG-50	22.3
31.461.50.03	SE.400.5014.9.5	18	460	400	48	54	70	175	9.5	NNF 5014	GGG-50	21.8
31.462.50.03	SE.400.5016.11.5	22	460	400	50	60	80	200	11.5	NNF 5016	GGG-50	22.7
31.463.50.03	SE.410.5018.11.5	22	460	400	61	67	90	200	11.5	NNF 5018	GGG-50	23.7
31.464.50.03	SE.410.5013.9	17	460	410	42	46	65	200	9	NNF 5013	GGG-50	22.3
31.465.50.03	SE.410.5018.9	17	460	410	61	67	90	200	9	NNF 5018	GGG-50	24.7
31.500.70.03		30	500	430	70	80/46	60	150	16	NNF 5012	GGG-70	44
31.515.50.03.0	SE.450.5018.10	19	515	450	61	67	90	200	10	NNF 5018	GGG-50	39.7
31.515.50.03.1	SE.450.5018.11.5	20	515	450	61	67	90	200	11.5	NNF 5018	GGG-50	39.7
31.517.50.03	SE.450.5024.10	19	515	450	70	80	12	270	10	NNF 5024	GGG-50	45

- Different shaft sizes possible.
- Groove may be adjusted to other wire rope diameters.

cont'd